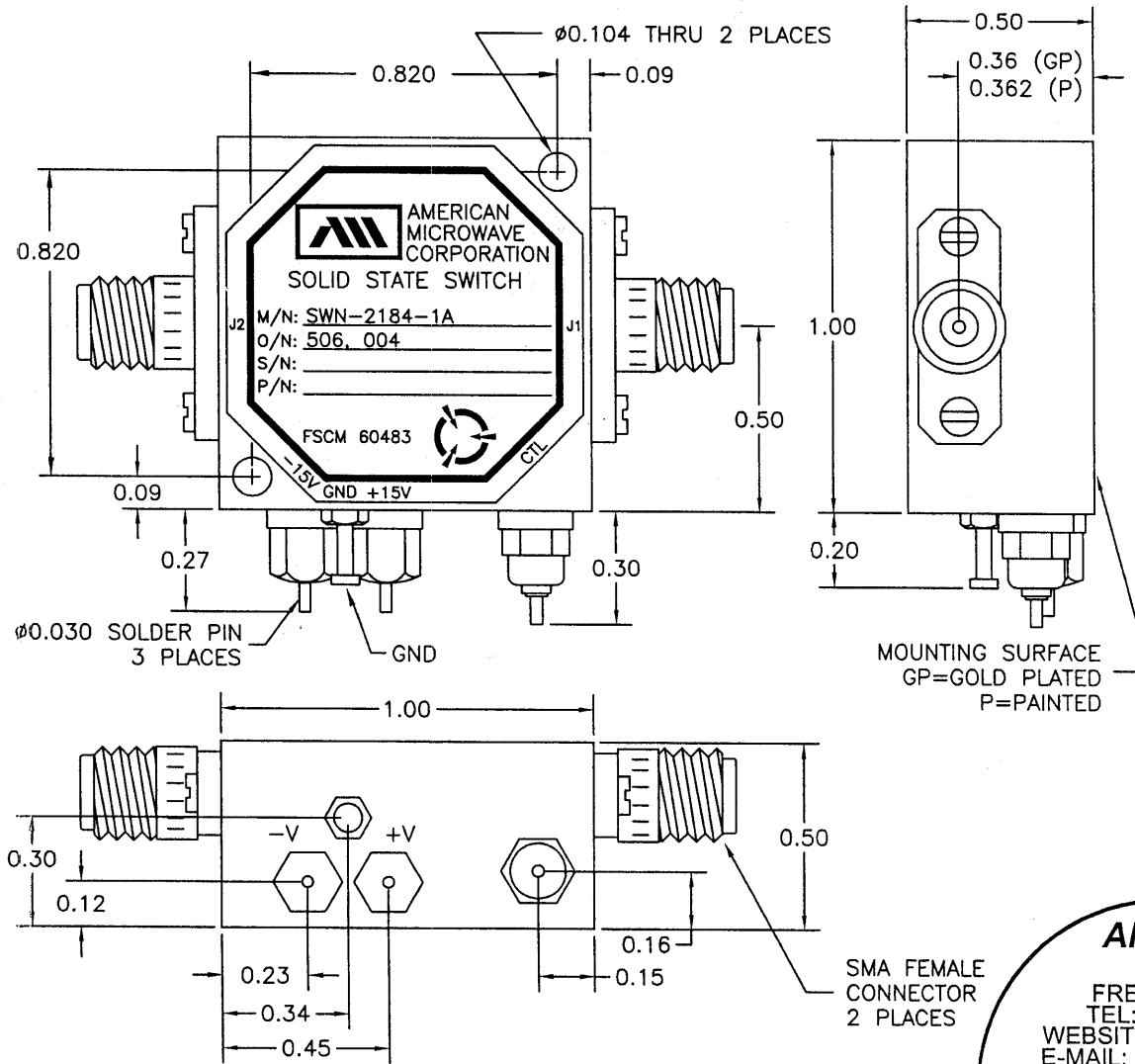


DESCRIPTION

AMC MODEL SWN-2184-1A OPTION: 506, 004 IS A REFLECTIVE, SINGLE POLE SINGLE THROW SWITCH DESIGNED TO OPERATE AT A FIXED FREQUENCY OF 5.6 GHz HAVING AN INSERTION LOSS OF 1.0 dB TYPICAL, 1.5 dB MAXIMUM, AN ISOLATION OF 85 dB MINIMUM AND A VSWR OF 1.6:1.

REVISIONS				
ZONE	REV.	DESCRIPTION	DATE	APPROVED
	-	ORIGINAL RELEASE JOB# 408182	9/7/04	RA



MECHANICAL OUTLINE

BLOCK DIAGRAM



AMERICAN MICROWAVE CORPORATION

7311-G GROVE ROAD
 FREDERICK, MARYLAND 21704 USA
 TEL: 301-662-4700 FAX: 301-662-4938
 WEBSITE: www.americanmicrowavecorp.com
 E-MAIL: sales@americanmicrowavecorp.com
 ISO 9001:2000 CERTIFIED



ALL DIMENSIONS ARE IN INCHES
 TOLERANCES:
 X.XX ±0.020
 X.XXX ±0.010

APPROVALS		DATE	TITLE		
DRAWN	<i>gdf</i>	9/7/04	MECHANICAL OUTLINE SWN-2184-1A OPTION: 506, 004		
CHECKED	<i>RA</i>	7/10/04	5.6 GHz, REFLECTIVE, SINGLE POLE SINGLE THROW SWITCH	SIZE	FSCM NO.
ISSUED			A	60483	DWG NO.
					100-7113
			SCALE N:S		SHEET 2 OF 3

